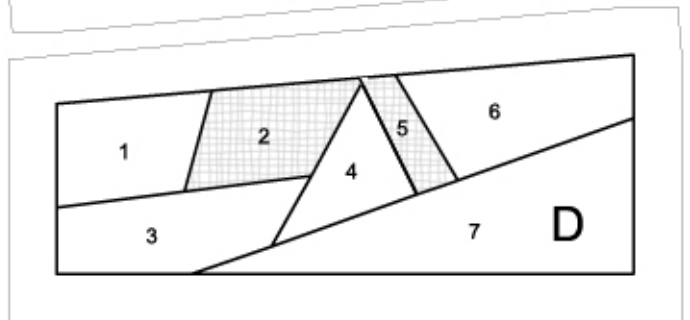
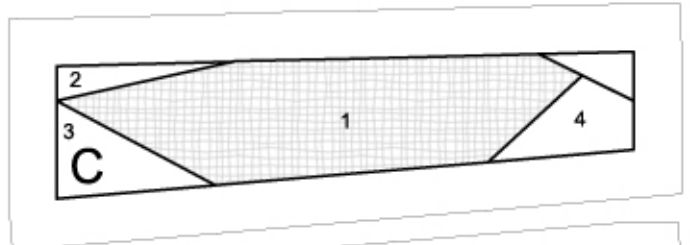
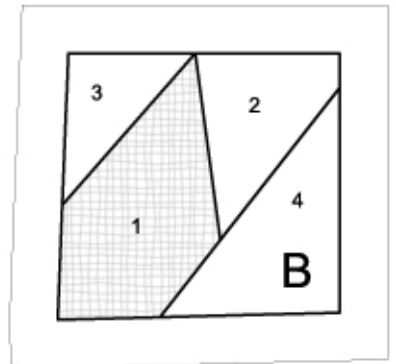
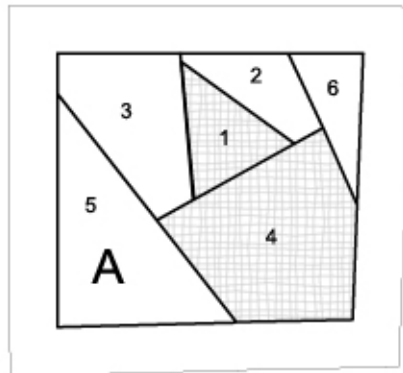
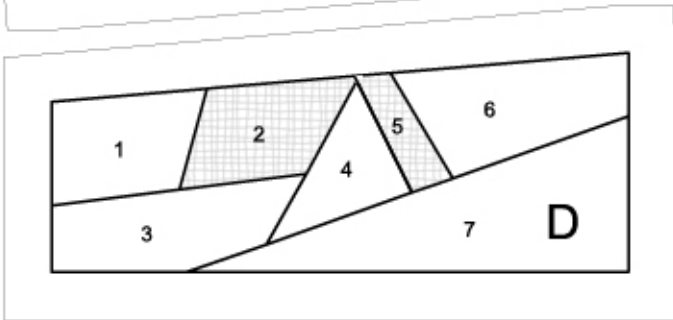
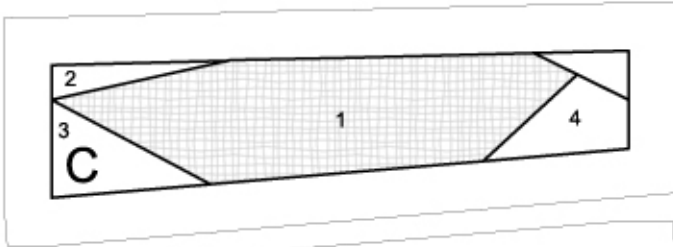


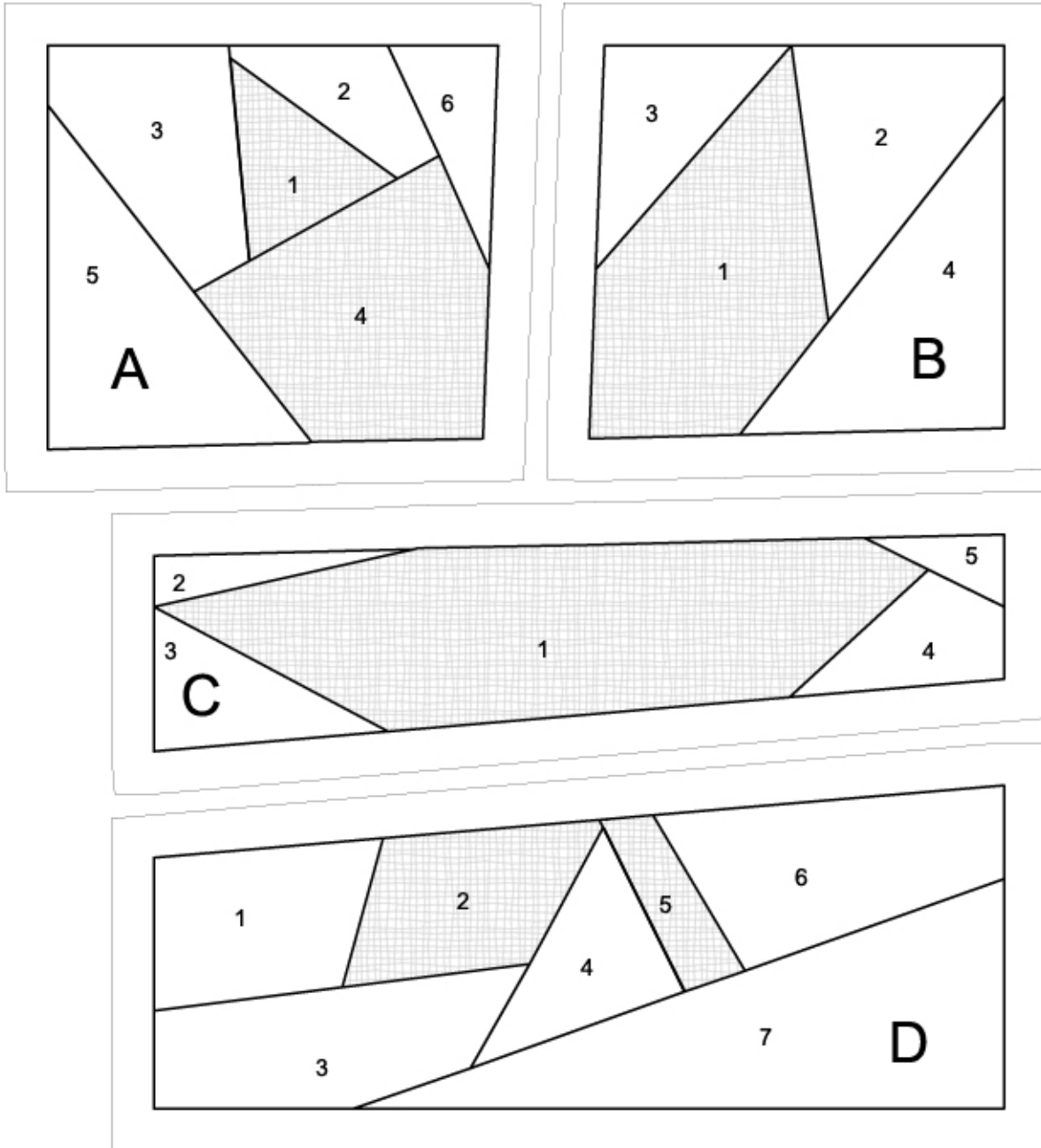
“Maple Leaf”
3” paper pieced pattern

(there are two patterns on this page)

Sewing order
A>B
AB>C>D



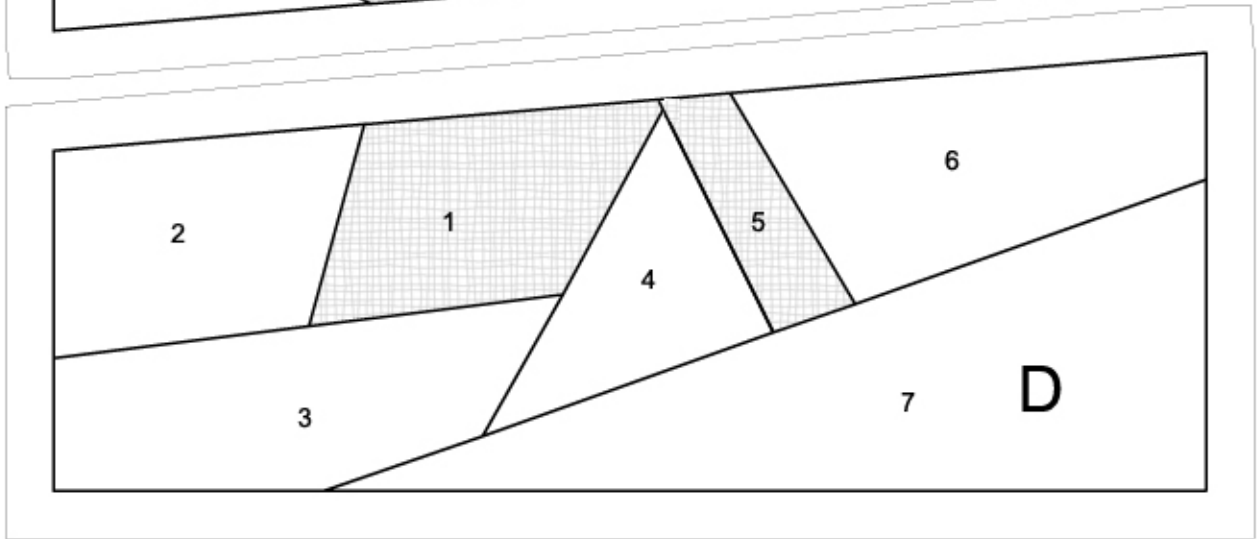
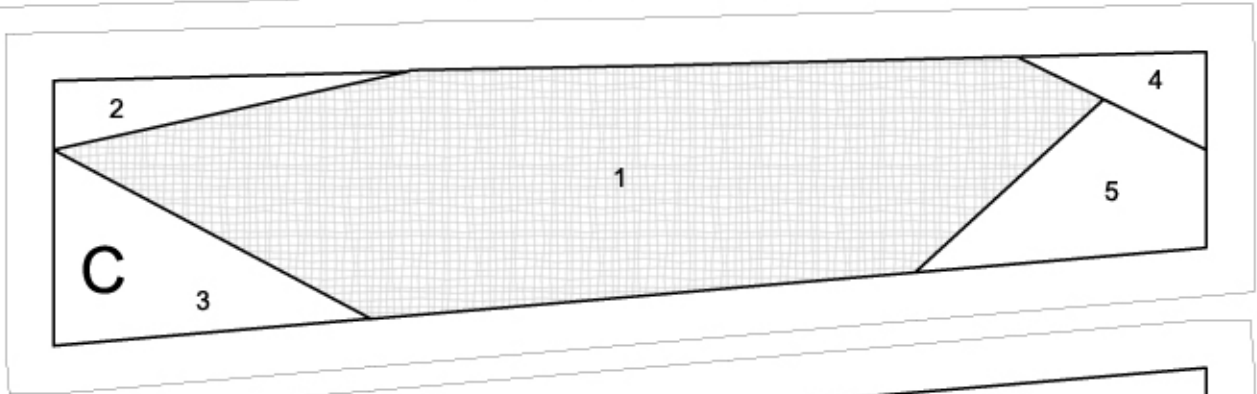
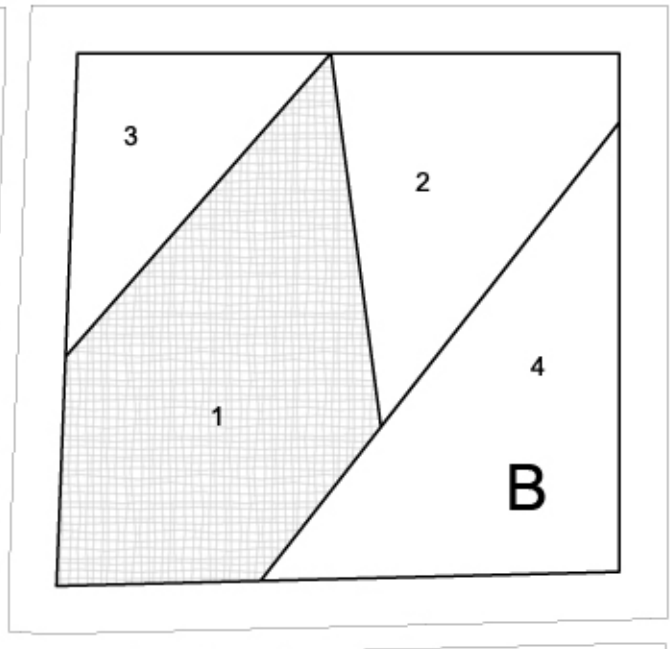
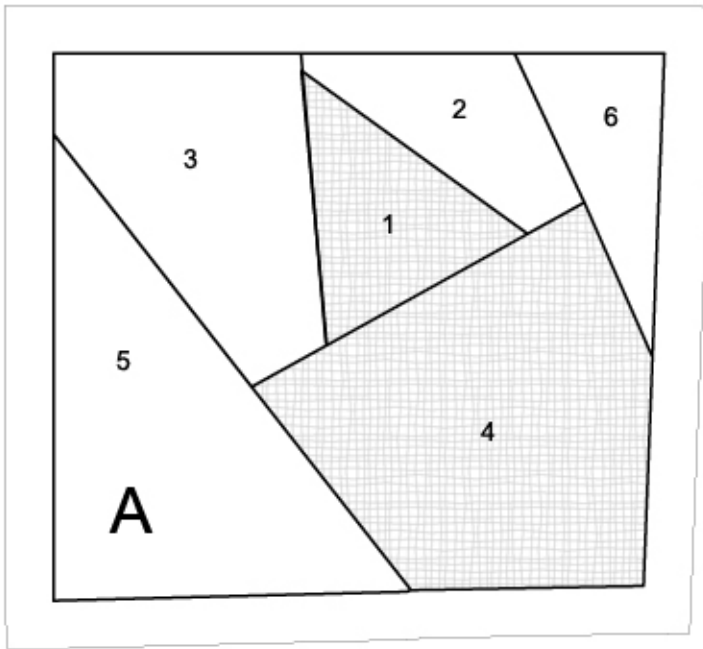

© Jennifer Ofenstein
sewhooked.com
personal/non-profit use only



“Maple Leaf”
5” paper pieced pattern

Sewing order
A>B
AB>C>D

sewhooked™
© Jennifer Ofenstein
sewhooked.com
personal/non-profit use only



“Maple Leaf”
6” paper pieced pattern

Sewing order
A>B
AB>C>D

